

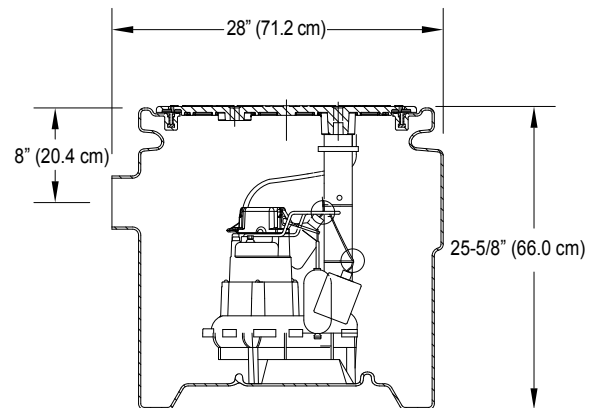
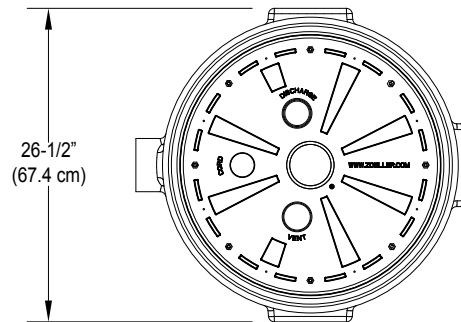
Product information presented here reflects conditions at time of publication. Consult factory regarding discrepancies or inconsistencies.

## TECHNICAL DATA SHEET

### 912 PACKAGE SYSTEMS PREASSEMBLED SEWAGE SYSTEMS FOR FAST INSTALLATION.

#### PUMP SPECIFICATIONS

<b>MOTOR</b>	Voltage	115
	Phase	1
	Hertz	60
	RPM	1400 or 2800
	Type	Split phase or permanent split capacitor
	Insulation	Class B
	Amps	4.4 - 8.5
	<b>PUMP</b>	Operation
Auto On / Off		Varies based on package
Discharge Size		2" NPT
Solids Handling		2" (50 mm) spherical solids
Cord Length		20' (6 m) standard
Max. Head		14' (4.3 m), 22" (6.7 m), 45.6' (13.9 m)
Max. Flow Rate		92 GPM (20.9 m <sup>3</sup> /hr), 106 GPM (24 m <sup>3</sup> /hr), 149 GPM (33.8 m <sup>3</sup> /hr)
Max. Operating Temp.		130 °F (54 °C)
Cooling		Oil filled
Motor Protection		Auto reset thermal overload
<b>MATERIALS</b>	Cap	Cast iron
	Motor Housing	Cast iron
	Pump Housing	Cast iron
	Base	Engineered plastic or cast iron
	Upper Bearing	Sleeve bearing
	Lower Bearing	Sleeve or ball bearing
	Mechanical Seals	Carbon/ceramic
	Impeller Type	Non-clogging vortex
	Impeller	Engineered plastic or bronze
	Hardware	Stainless steel
	Motor Shaft	1215 cold rolled steel, 1144 steel or JIS S45C steel
	Gasket	Neoprene



24" x 24" (61 x 61 cm) shown, 18" x 30" (46 x 76 cm) and 24" x 36" (61 x 91 cm) also available.

SK2694

#### BASIN SPECIFICATIONS

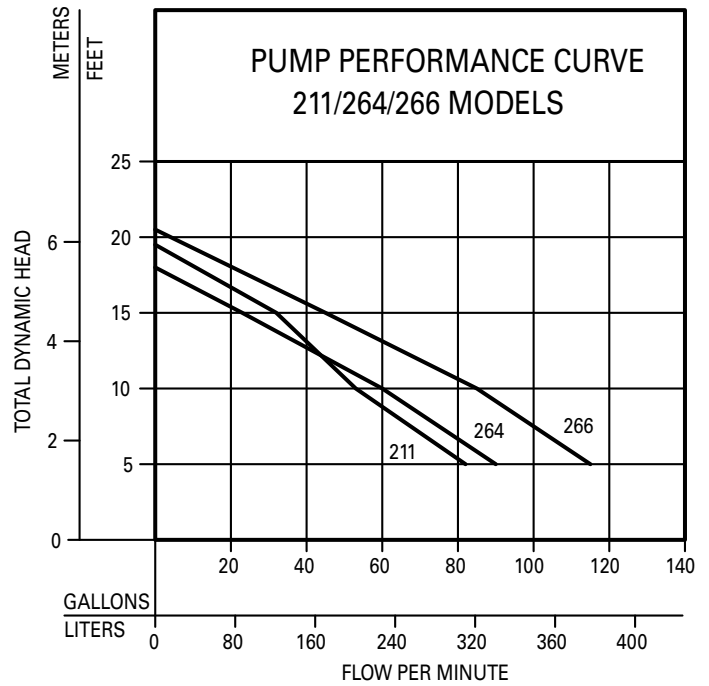
- Polyethylene basin
- Polyethylene structural foam cover with 2" vent and 2" discharge
- 41 gallon (155 liter) capacity (25 gallons [95 liters] below inlet)
- Integral foam seal



**WARNING** These systems are not designed for hazardous environments. Please consult factory for special options and requirements.

## TOTAL DYNAMIC HEAD FLOW PER MINUTE

MODELS		211		264		266	
Feet	Meters	Gal.	Liters	Gal.	Liters	Gal.	Liters
5	1.5	82	310	90	341	115	435
10	3.0	53	201	60	227	85	322
15	4.6	32	121	23	87	45	170
Shut-off Head:		19.5 ft.(5.9m)		18 ft.(5.5m)		20.5 ft.(6.2m)	

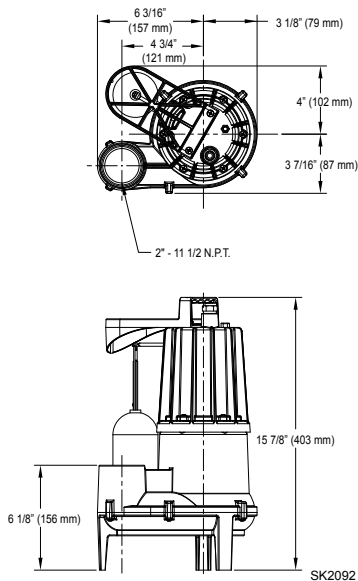


009969

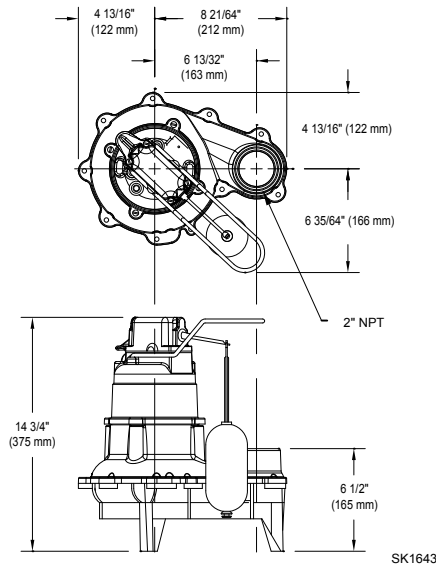
### CAUTION

All installation of controls, protection devices and wiring should be done by a qualified licensed electrician. All electrical and safety codes should be followed including the most recent National Electrical Code (NEC) and the Occupational Safety and Health Act (OSHA).

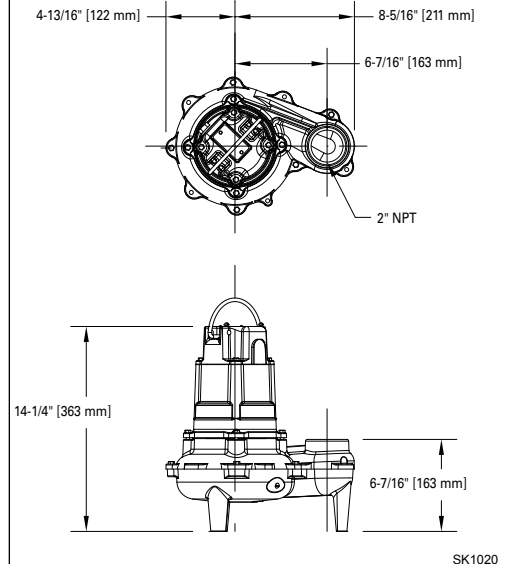
### MODEL 211



### MODEL 264



### MODEL 266



See FM2787 (model 211), FM2788 (model 264), FM2789 (model 266) for complete pump specifications.

2" Vent P/N	3" Vent P/N	Pump	Basin Type	Basin Size	Weight Lbs / Kg
912-0073	---	M211	PSF-Standard	18" X 30" (45.7 x 76.2 cm)	39 / 18
* 912-0112	---		Polyethylene	24" x 24" (61 x 61 cm)	50 / 23
* 912-1112	---		Polyethylene w/ Alarm	24" x 24" (61 x 61 cm)	54 / 24
912-0007	912-0021	M264	PSF-Standard	18" X 30" (45.7 x 76.2 cm)	56 / 25
912-1007	---		PSF-Standard w/ Alarm	18" X 30" (45.7 x 76.2 cm)	59 / 27
912-0006	---		Polyethylene-10' (3 m) stack	18" X 30" (45.7 x 76.2 cm)	65 / 30
912-0061	---		PSF-Deluxe	18" X 30" (45.7 x 76.2 cm)	59 / 27
912-0069	---		Polyethylene-w/ Integral Side Vent	18" X 30" (45.7 x 76.2 cm)	50 / 23
912-0086	---		Premium PSF w/ AFD	18" X 30" (45.7 x 76.2 cm)	64 / 29
912-1086	---		Premium PSF w/ AFD & Alarm	18" X 30" (45.7 x 76.2 cm)	67 / 30
* 912-0114	---		Polyethylene	24" x 24" (61 x 61 cm)	73 / 33
* 912-1114	---		Polyethylene w/ Alarm	24" x 24" (61 x 61 cm)	75 / 34
* 912-0078	---		PSF-Deluxe	24" X 36" (61 x 91.4 cm)	82 / 37
912-0074	---	BN211 with Piggyback Variable Level Float Switch	PSF-Standard	18" X 30" (45.7 x 76.2 cm)	39 / 18
* 912-0113	---		Polyethylene	24" x 24" (61 x 61 cm)	50 / 23
* 912-1113	---		Polyethylene w/ Alarm	24" x 24" (61 x 61 cm)	54 / 24
912-0005	912-0029	BN264 with Piggyback Variable Level Float Switch	PSF-Standard	18" X 30" (45.7 x 76.2 cm)	56 / 25
912-1005	---		PSF-Standard w/ Alarm	18" X 30" (45.7 x 76.2 cm)	59 / 27
** 912-0016	---		Fiberglass-10' (3 m) stack, LA code	18" X 30" (45.7 x 76.2 cm)	78 / 35
912-0055	---		Polyethylene w/ Integral Side Vent	18" X 30" (45.7 x 76.2 cm)	50 / 23
912-1055	---		Polyethylene w/ Integral Side Vent w/ Alarm	18" X 30" (45.7 x 76.2 cm)	53 / 24
912-0065	---		PSF-Deluxe	18" X 30" (45.7 x 76.2 cm)	59 / 27
912-0087	---		Premium PSF w/ AFD	18" X 30" (45.7 x 76.2 cm)	64 / 29
912-1087	---		Premium PSF w/ AFD & Alarm	18" X 30" (45.7 x 76.2 cm)	67 / 30
* 912-0115	---		Polyethylene	24" x 24" (61 x 61 cm)	73 / 33
* 912-1115	---		Polyethylene w/ Alarm	24" x 24" (61 x 61 cm)	75 / 34
* 912-0080	---		PSF-Deluxe	24" X 36" (61 x 91.4 cm)	82 / 37
* 912-1080	---	PSF-Deluxe w/ Alarm	24" X 36" (61 x 91.4 cm)	85 / 39	
912-0010	912-0025	M266	PSF-Standard	18" X 30" (45.7 x 76.2 cm)	61 / 28
912-1010	---		PSF-Standard w/ Alarm	18" X 30" (45.7 x 76.2 cm)	64 / 29
912-0012	---		Fiberglass-Standard	18" X 30" (45.7 x 76.2 cm)	74 / 34
912-0063	---		PSF-Deluxe	18" X 30" (45.7 x 76.2 cm)	64 / 29
912-0070	---		Polyethylene-w/ Integral Side Vent	18" X 30" (45.7 x 76.2 cm)	55 / 25
912-0088	---		Premium PSF w/ AFD	18" X 30" (45.7 x 76.2 cm)	69 / 31
912-1088	---		Premium PSF w/ AFD & Alarm	18" X 30" (45.7 x 76.2 cm)	72 / 33
* 912-0116	---		Polyethylene	24" x 24" (61 x 61 cm)	76 / 34
* 912-1116	---		Polyethylene w/ Alarm	24" x 24" (61 x 61 cm)	78 / 35
* 912-0079	---		PSF-Deluxe	24" X 36" (61 x 91.4 cm)	87 / 39
912-0017	912-0033	BN266 with Piggyback Variable Level Float Switch	PSF-Standard	18" X 30" (45.7 x 76.2 cm)	61 / 28
912-1017	---		PSF-Standard w/ Alarm	18" X 30" (45.7 x 76.2 cm)	64 / 29
912-0018	---		Polyethylene-10' (3 m) stack	18" X 30" (45.7 x 76.2 cm)	67 / 30
912-0019	---		Fiberglass-Standard	18" X 30" (45.7 x 76.2 cm)	75 / 34
** 912-0020	---		Fiberglass-10' (3 m) stack, LA code	18" X 30" (45.7 x 76.2 cm)	79 / 36
912-0056	---		Polyethylene w/ Integral Side Vent	18" X 30" (45.7 x 76.2 cm)	55 / 25
912-1056	---		Polyethylene w/ Integral Side Vent w/ Alarm	18" X 30" (45.7 x 76.2 cm)	58 / 26
912-0067	---		PSF-Deluxe	18" X 30" (45.7 x 76.2 cm)	64 / 29
912-1067	---		PSF-Deluxe w/ Alarm	18" X 30" (45.7 x 76.2 cm)	67 / 30
912-0089	---		Premium PSF w/ AFD	18" X 30" (45.7 x 76.2 cm)	69 / 31
912-1089	---		Premium PSF w/ AFD & Alarm	18" X 30" (45.7 x 76.2 cm)	72 / 33
* 912-0117	---		Polyethylene	24" x 24" (61 x 61 cm)	76 / 34
* 912-1117	---		Polyethylene w/ Alarm	24" x 24" (61 x 61 cm)	78 / 35
* 912-0081	---		PSF-Deluxe	24" X 36" (61 x 91.4 cm)	87 / 39
* 912-1081	---		PSF-Deluxe w/ Alarm	24" X 36" (61 x 91.4 cm)	90 / 41

PSF: Polyethylene structural foam    AFD: Anti-fotation device    Standard: includes a rubber inlet grommet    Deluxe: includes a plastic inlet combo hub    Premium: includes a split cover and AFD  
\* 24" x 24" (61 x 61 cm) and 24" X 36" (61 x 91.4 cm) shipped individually    \*\* 4" Cast Iron Hub on LA Code Systems

Side Discharge Basins P/N	Pump	Basin Type	Basin Size	Weight Lbs / Kg
912-0082	M264	PSF	18" X 30" (45.7 x 76.2 cm)	61 / 28
912-1082		PSF w/ Alarm	18" X 30" (45.7 x 76.2 cm)	66 / 30
912-0090		Premium PSF w/ AFD	18" X 30" (45.7 x 76.2 cm)	72 / 33
912-1090		Premium PSF w/ AFD & Alarm	18" X 30" (45.7 x 76.2 cm)	72 / 33
912-0083	BN264 w/ Piggyback Variable Level Float Switch	PSF	18" X 30" (45.7 x 76.2 cm)	62 / 28
912-1083		PSF w/ Alarm	18" X 30" (45.7 x 76.2 cm)	67 / 30
912-0091		Premium PSF w/ AFD	18" X 30" (45.7 x 76.2 cm)	72 / 33
912-1091		Premium PSF w/ AFD & Alarm	18" X 30" (45.7 x 76.2 cm)	76 / 34
912-0084	M266	PSF	18" X 30" (45.7 x 76.2 cm)	62 / 28
912-1084		PSF w/ Alarm	18" X 30" (45.7 x 76.2 cm)	67 / 30
912-0092		Premium PSF w/ AFD	18" X 30" (45.7 x 76.2 cm)	73 / 33
912-1092		Premium PSF w/ AFD & Alarm	18" X 30" (45.7 x 76.2 cm)	76 / 34
912-0085	BN266 w/ Piggyback Variable Level Float Switch	PSF	18" X 30" (45.7 x 76.2 cm)	63 / 29
912-1085		PSF w/ Alarm	18" X 30" (45.7 x 76.2 cm)	68 / 30
912-0093		Premium PSF w/ AFD	18" X 30" (45.7 x 76.2 cm)	73 / 33
912-1093		Premium PSF w/ AFD & Alarm	18" X 30" (45.7 x 76.2 cm)	77 / 35

PSF: Polyethylene structural foam    AFD: Anti-flotation device    Standard: includes a rubber inlet grommet    Deluxe: includes a plastic inlet combo hub    Premium: includes a split cover and AFD

## PACKAGING

18" x 30" (45.7 x 76.2 cm) Simplex systems are shipped four units to a skid. 24" x 36" (61 x 91.4 cm) are shipped individually. All units are properly secured with a 2" (DN 50) PVC discharge pipe in the basins to avoid shifting or upsetting the pump and switch mechanism. Float switch is secured with tape that is easily removed through the inlet hub opening. Premium basins have torque stops for prevention of shipping damage to the pump. All other systems are packaged with environment-safe peanuts that are water soluble - no need to remove.

## SYSTEMS INCLUDE

- 2" (50 mm) solids handling pump
- 2" (50 mm) PVC discharge pipe, 30" (76 cm) long (24" [61 cm] long on 24" X 24" [61 x 61 cm]) and (36" [91 cm] long on 24" X 36" [61 x 91 cm])
- Basins - polyethylene, poly-foam or fiberglass construction with poly or solid steel covers and 4" pipe seal hub, 4" PVC hub (deluxe) or 4" cast iron hub on L.A. Code Systems
- Check valve options - 30-0151, 30-0020, 30-0021, 30-0101 or 30-0103 (not included)
- Systems available with alarms and preinstalled alarm float.
- Premium indoor systems have a split cover for easy pump inspection, torque stops and an anti-flotation device.
- Side discharge systems rated for outdoor burial: solid polyethylene structural foam lid and basin with 2" discharge on side
- 3/16" (5 mm) vent hole drilled
- (1) 2" (50 mm) solids sewage ejector
- (1) 24" x 24" (61 x 61 cm) poly molded basin
- (1) PSF cover with 2V2D